



CBT & IRT HORIZONTAL TOASTER

Horizontal Toaster

IRT (Muffins and Bagels)



CBT (Buns)

The Prince Castle Horizontal Toasters are the new platform in Gold Standard toasting. The horizontally stacked IRT and CBT toaster allow for running dual day parts simultaneously while providing vertical space savings.

The CBT (Core Bun Toaster) features a stainless steel belt for durability, reliability and minimum consumables. Cleaning and maintenance is easy to perform with a slide out drawer to access the belt. Capable of 22 second toasting, the CBT can run 1200+ perfect buns per hour to meet any stores peak hours.

The IRT toaster will provide perfect muffins, bagels and a “special product” option for future menu flexibility. Items are delivered directly into a UHC tray for convenience and to minimize handling.

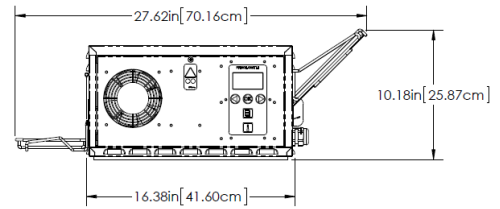
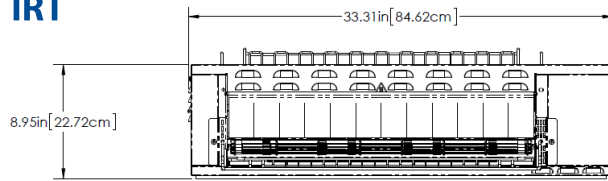
Standard Features

- Toast core buns and breakfast items simultaneously
- Adjustable compression
- Adjustable speed control
- Adjustable temperature control
- Stainless steel belt for long term reliability
- Minimal low cost consumables
- Sliding belt drawer for easy cleaning and maintenance
- Modular design for rapid servicing and troubleshooting
- Heated landing zone for core buns
- Gold quality toasting at only 455° (vs over 550°)
- Breakfast items are fed into UHC tray to minimize product handling
- Dual sided club toasting
- Compatible with single and three phase wiring to eliminate in-store electrical wiring.
- Low energy consumption with high bun temperatures.

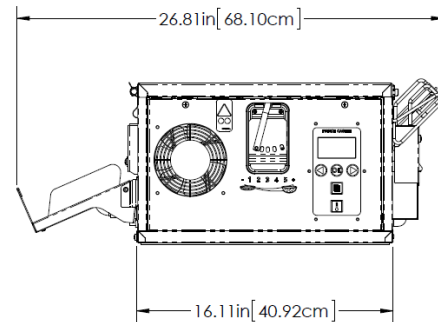
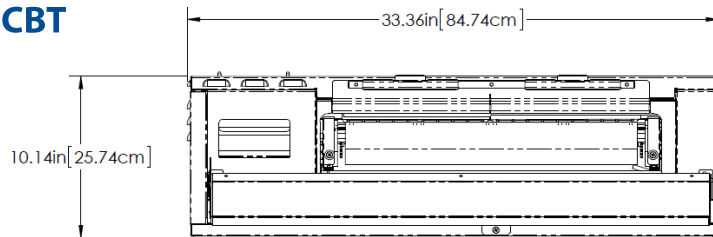


Specifications

IRT



CBT



Dimensions

Model	Width in (cm)	Height in (cm)	Depth in (cm)	Gross Shipping Weight lb (kg)	Unit Net Weight lb (kg)	Shipping cu. ft. (cu.m.)
IRT Series	33.3 (84.62)	8.95 (22.72)	16.38 (41.61)	122 (55.33)	86 (39.00)	11.39 (0.32)
CBT Series	33.36 (84.74)	10.14 (25.74)	16.11 (40.92)	200 (90.71)	156 (70.76)	13.0 (0.36)

Electrical

Model Number	Voltage	Hz	Plug
IRT-SB-NA-1PS	200-240 VAC	50/60 Hz	1 Ph.
IRT-SB-NA-3PS	200-240 VAC	50/60 Hz	3 Ph.
CBT-SB-NA-1PS	200-240-VAC	50/60 Hz	1 Ph.

Certifications

