



340-URTG2L UNIVERSAL RAPID TOASTER



340-URTG2L Universal Rapid Toaster

GOLD STANDARD TOASTING

- Toast all bread products in one toaster. Breakfast products and buns can be toasted in same toaster
- Replaces all other breakfast and bun toasters
- Club section of Big Mac is toasted on both sides
- Can toast any combination of buns at the same time
- Simplifies operations because toaster is not moved during transition
- Fewer toasters to maintain and store
- Two year parts and labor warranty

STANDARD FEATURES

- Superior toasting quality of all products
 - Buns have better caramelization and higher internal temperatures
 - Bagels and muffins are toasted more consistently from batch to batch
 - Toast deeper into the muffin crumb
- Lower cost of ownership and installation
- Toaster has built in redundancy. The toaster's design consists of two independent units:
 - One unit can be turned off during lower volume times or removed for maintenance without impacting operations
 - can toast buns and breakfast products simultaneously
- Able to handle very high volume periods.
- Simpler toaster design enhances reliability - less moving parts
- Easier to clean and maintain
 - Simpler daily maintenance
 - Less frequent tune-ups

340-URTG2L UNIVERSAL RAPID TOASTER

SPECIFICATIONS

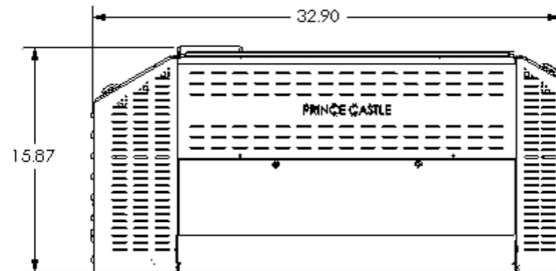
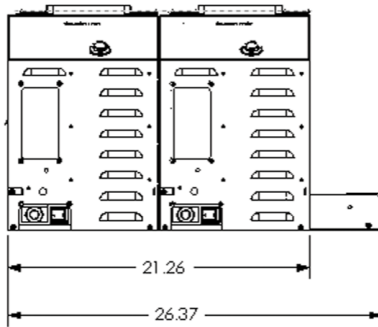
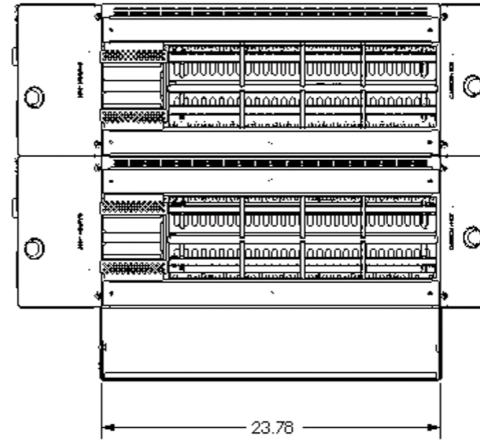
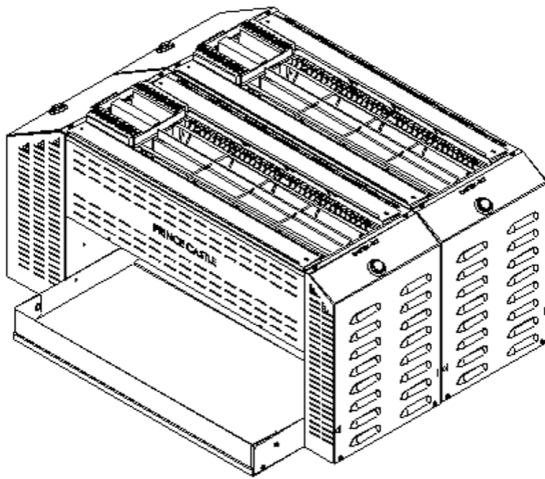
DIMENSIONS

Model No.	Width in (cm)	Depth in (cm)	Height in (cm)	Shipping Weight lb (cm)	Shipping cu. ft.
340-URTG2L	32.53(82.6)	26.37 (66.0)	15.87 (40.3)	235 (107)	34.84

ELECTRICAL

Model	Volts	Hz.	Breakfast		Lunch		Plug Number
			Watts	Amps	Watts	Amps	
340-URTG2L	208	60	4743	22.8	2085	10	3-Pin, 30 Amp Hubbel

Requires: Two (2) 208V, 30 Amp, Single-Phase outlets



CERTIFICATIONS:

